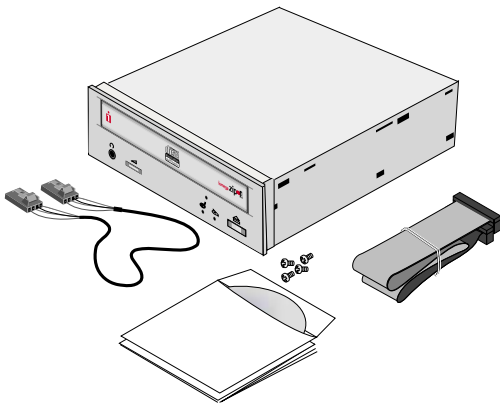


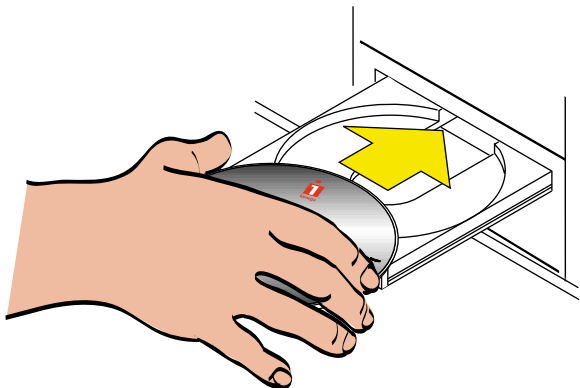


## Internal ZipCD™ ATAPI Drive PC Quick Start





# 1

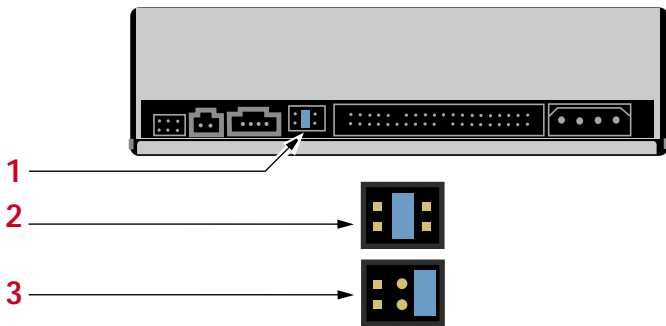


Start your computer, wait for the operating system to load, then insert the ZipCD™ software disc.

Select **“Print Installation Instructions”** to view and print detailed installation instructions.

Select **“Install ZipCD™ Software”** to install the software needed for your ZipCD drive. Follow the onscreen instructions.

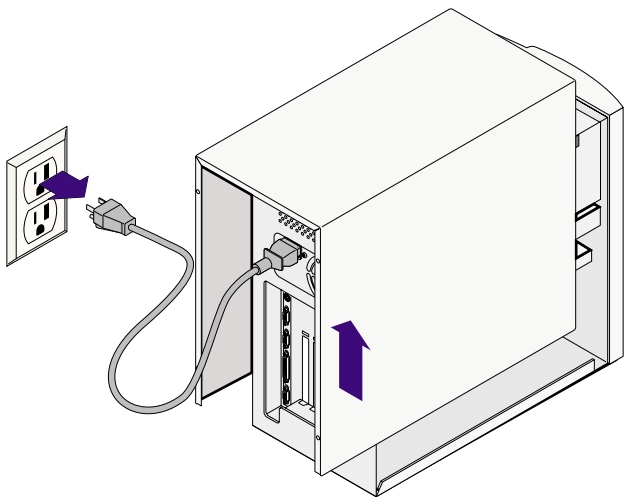
# 2



## If necessary, change the ZipCD™ drive jumper setting **1**.

Leave the setting in the Slave **2** position if you are connecting the ZipCD™ drive on the same data cable with another device. Use the Master **3** setting if the ZipCD drive will be the only device on the secondary IDE channel. Do not use Cable Select unless your computer supports this mode. (Check your computer documentation.)

# 3

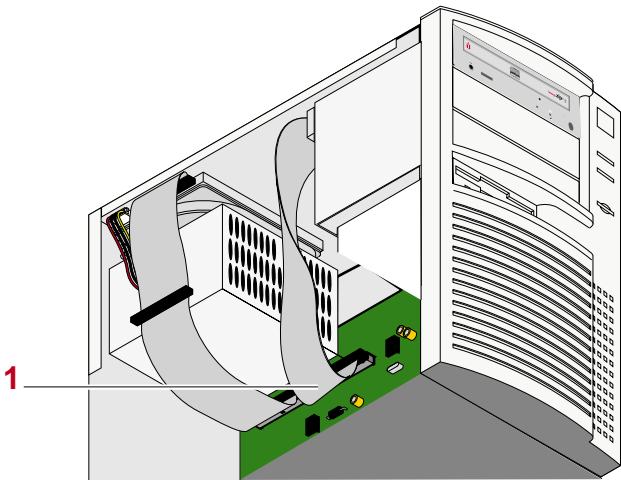


**Shut down the computer, disconnect the power cord and remove the cover.**

**CAUTION!** Always turn off power to the computer and all devices connected to it before beginning any computer hardware change.

**NOTE:** Locate and write down the drive serial number for your drive.

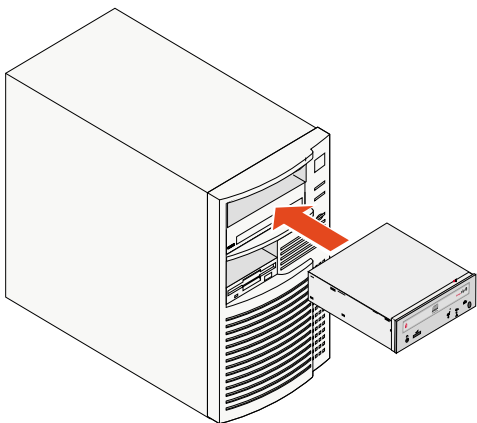
# 4



## Select the IDE interface connection you want to use.

Connect the ZipCD™ drive to the secondary IDE channel **1** either in slave configuration with another drive as master (e.g. CD-ROM) or in master configuration as the only device. If you are unsure about the connection, refer to the HTML ZipCD™ drive User's Manual for more information.

# 5

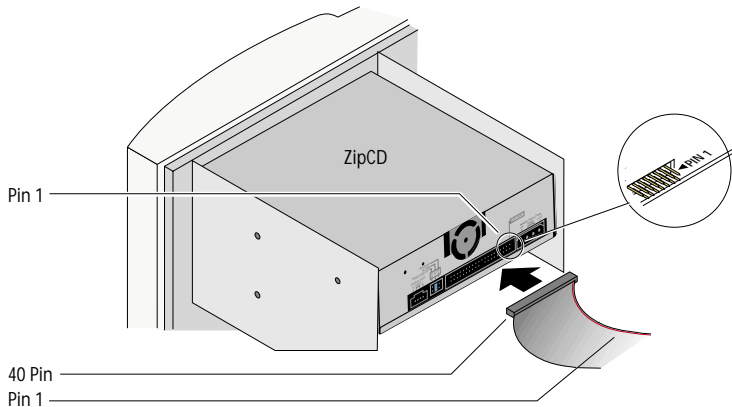


**Locate a vacant 5.25" drive bay. Remove the panel cover and slide the ZipCD™ drive into the drive bay.**

Some computers may require rails. Check your computer's documentation.

***NOTE:** If it makes it easier to connect cables on your computer, you can secure the ZipCD™ drive in the drive bay now. (See step 9.)*

# 6

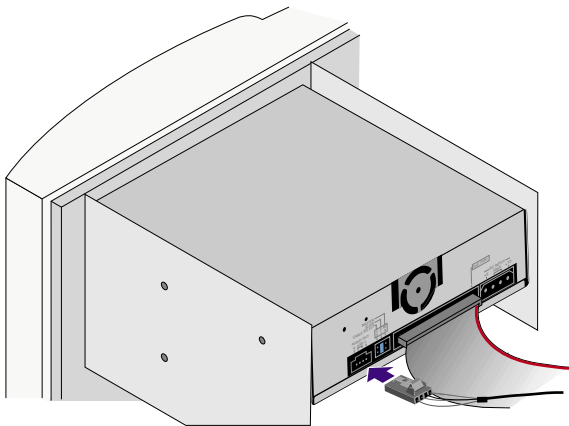


**Connect the ZipCD™ drive to the computer's IDE connection using an IDE data cable.**

**NOTE:** You can use either the cable included with the drive or an IDE cable that may already be connected to the computer's motherboard.

**CAUTION!** Make sure PIN 1 on the cable connects to PIN 1 on the ZipCD™ drive, the motherboard, and any other connected device.

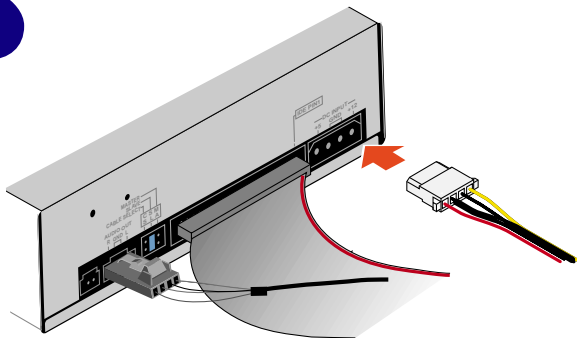
# 7



**Skip this step if the computer's CD-ROM drive is already connected to the computer's audio in port.**

Connect the audio cable to the ZipCD™ drive and the computer's audio connector, usually located on the sound card or the motherboard. Check your sound card documentation or your system's documentation and the HTML ZipCD™ drive User's Manual for detailed instructions.

# 8

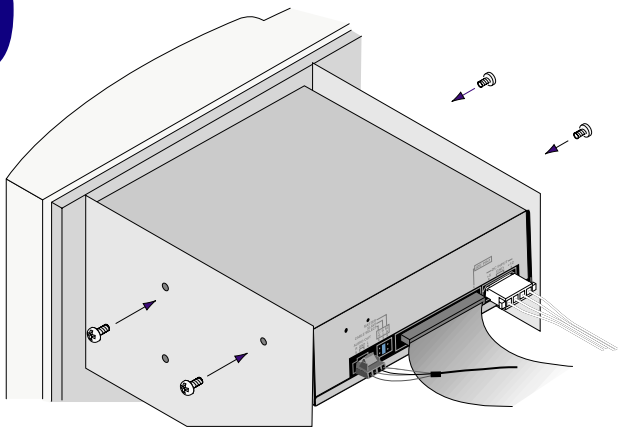


## Connect a computer power supply cable.

You may need a Y-cable if your system's power cable does not have a free connector.

**CAUTION!** Make sure the power supply cable is securely connected to the ZipCD™ drive.

# 9

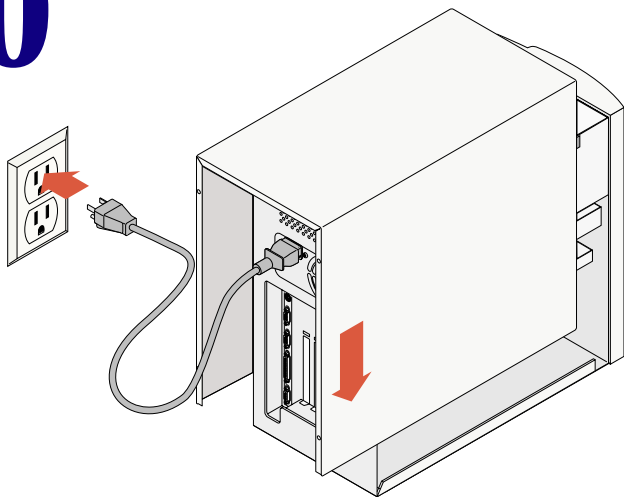


## Secure the drive in the drive bay if needed.

If there is not a clear access to the drive bay mounting holes, refer to your computer manual for additional instructions.

**CAUTION!** Mounting screws must not extend into the ZipCD™ drive more than 6.0 mm (about 0.25 inch).

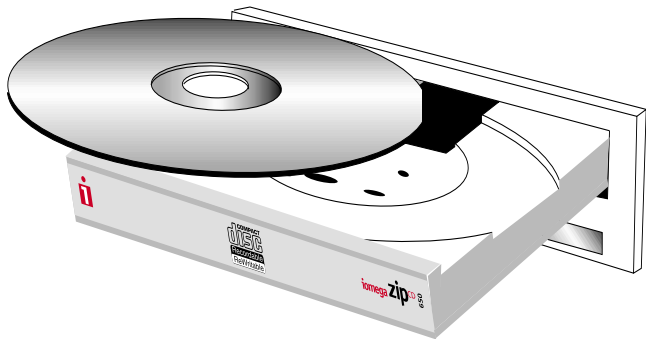
# 10



**Check all connections, arrange the cables to fit under the cover, and replace the computer cover.**

Reconnect the power cord, turn on the power switch, and wait for the operating system to load. Because the ZipCD™ drive is plug-and-play, you will not see “New Hardware Detected” in Windows®.

# 11



Your ZipCD™ drive is ready to use. Continue reading for help on using your ZipCD™ drive.

# Internal ZipCD™ ATAPI Drive PC Getting Started

The ZipCD™ drive enables you to create CD-R (Compact Disc-Recordable) and CD-RW (Compact Disc-ReWritable) discs.

You can write to CD-R discs, but you cannot erase the information on the discs. You can write to and erase information from CD-RW discs up to 1,000 times.

Use CD-R discs for audio recordings. Use CD-RW discs for storing data and backing up your work. Some CD-ROM drives and most audio CD players cannot read CD-RW discs.

Use the ZipCD™ drive to:

- Create an Audio CD
- Create a Data CD
- Create a Backup CD
- Duplicate a CD

It might be a criminal offense under applicable copyright laws to make unauthorized copies of copyright-protected material, including computer programs, films, broadcasts, and non-original sound recordings. This equipment should not be used for such purposes.

# 1

## Creating an Audio CD

- 1 Double-click the **Create CD** icon on your desktop.
- 2 Click **Audio**.
- 3 Click **Audio CD**.
- 4 Insert your music CD into your ZipCD™ drive.
- 5 Drag audio tracks from the top window to the bottom CD layout window.
- 6 If you are copying tracks from multiple CDs, eject the first CD and insert another CD. Repeat step 5.
- 7 Click the red **Create CD** button on the top toolbar.
- 8 Click **OK**.
- 9 When you are prompted, insert a blank CD-R disc into your ZipCD™ drive.
- 10 Follow the onscreen instructions for copying CDs.
- 11 When the process is complete, click **OK**.

# 2

## Creating a Data CD

- 1 Double-click the **Create CD** icon on your desktop.
- 2 Click **Data**.
- 3 Click **Data CD**.
- 4 Locate the files you want to copy in the top layout window.
- 5 Drag the desired files from the top layout window to the bottom CD layout window.
- 6 Click the red **Create CD** button on the top toolbar.
- 7 Click **OK**.
- 8 When you are prompted, insert a blank CD-R or CD-RW disc into your ZipCD™ drive.
- 9 When the process is complete, click **OK**.

# 3

## Creating a Backup CD

- 1 Double-click the **Create CD** icon on the desktop.
- 2 Click **Data**.
- 3 Click **Direct CD**.
- 4 Click **Next**.
- 5 Select your ZipCD™ drive letter.
- 6 Insert a blank CD-R or CD-RW disc into your ZipCD™ drive.
- 7 Wait 10-20 seconds for the disc to be recognized.
- 8 Click **Next**.
- 9 Click **Next**.
- 10 Type a label for the disc and click **Finish**.
- 11 When the process is complete, click **OK**.

***NOTE:** The formatting process might take 50-90 minutes for a CD-RW disc. After formatting is complete, you can drag and drop files onto the disc.*

# 4

## Duplicating a CD

- 1 Insert the CD you want to copy into the ZipCD™ drive.
- 2 Double-click the **Create CD** icon on the desktop.
- 3 Click **CD Copier**.
- 4 Click the **Copy from** drop-down box.
- 5 Select the ZipCD™ drive letter.
- 6 Click the **Record to** drop-down box.
- 7 Select the ZipCD™ drive letter.
- 8 Click the **Copy** button in the lower right corner of the window.
- 9 Follow the onscreen directions.

# 5

**For detailed information about the ZipCD™ drive, view the HTML User's Manual on the ZipCD software disc.**

To view the User's Manual on the CD, you must have Microsoft® Internet Explorer® 3.0 or higher or Netscape Navigator™ 4.5 or higher installed on your system.

One way to locate the User's Manual on the ZipCD™ software disc is to right click the **CD icon** and select **Explore**, then **Docs\index.html**.

**The User's Manual includes a complete list of worldwide support options!**

Omega Web Site

<http://www.iomega.com>

Omega Web Support Site

<http://www.iomega.com/support>

Customer Support (U.S. & Canada) 1-888-4-IOMEGA (1-888-446-6342)

## CE (European Community)

**Product Name:** Iomega Internal ZipCD™ ATAPI drive

**Model Numbers:** ZIPCD-DVDROM

ZIPCD1024int

ZIPCDP1024int

ZIPCD1536int

The Iomega Internal ZipCD™ ATAPI drive conforms to the following European Directive(s) and Standard(s): Application of Council Directives: 73/23/EEC, 89/336/EEC. Standards to which Conformity is declared: EN60950, EN55022, EN50082-1, EN60825-1. Importer's Name: Iomega Netherlands branch of Iomega International, S.A.

Type of Equipment: Information Technology Equipment

## Manufacturer/Responsible Party

Iomega Corporation  
1821 West Iomega Way  
Roy, UT 84067 U.S.A.  
801-332-1000

CLASS 1  
LASER PRODUCT



Copyright © 2000 Iomega Corporation. Iomega, the stylized "i" logo, ZipCD, and the ZipCD brand block are either registered trademarks or trademarks of Iomega Corporation in the United States and/or other countries. Microsoft, Windows, and NT are registered trademarks or trademarks of Microsoft Corporation in the United States and/or other countries. Certain other product names, brand names, and company names may be trademarks or designations of their respective owners.

30211301 06/26/00 r06